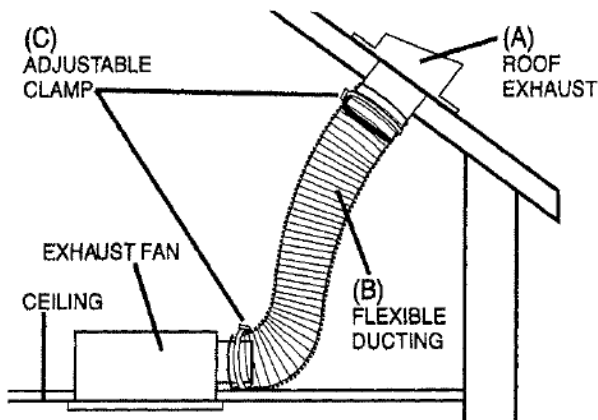
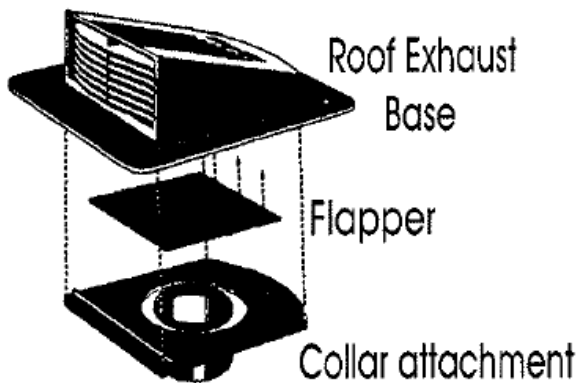


# Roof Exhaust Installation Instructions

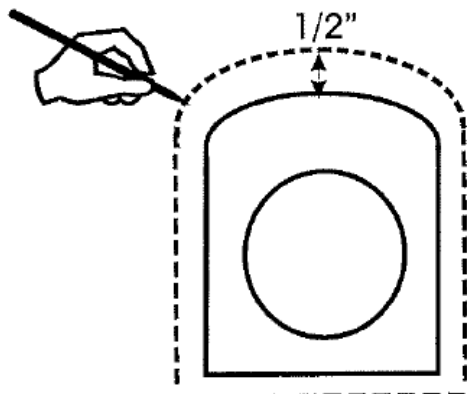
1. Locate an opening on the roof as close as possible to the exhaust fan



2. Remove collar attachment from the roof exhaust base. Do not remove flapper



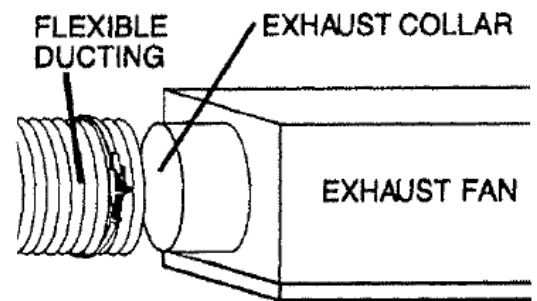
3. Trace an outline on the roof of the collar attachment while maintaining a 1/2" clearance



4. Cut out hole and insert roof exhaust base while flashing it under shingle

5. Nail fringe of roof exhaust base to the roof using the pre-punched nail holes and caulk around perimeter of base. Butal caulk recommended

6. Using the shortest length of duct needed to reach fan outlet and roof exhaust, slide flexible duct over exhaust collar of fan and secure with adjustable clamp (C)



7. From inside attic, attach other end of flexible duct to collar attachment and secure with adjustable clamp (C)

8. From inside attic, snap in collar with attached flexible duct (B) to the inside of roof exhaust

9. Ensure all connections are tight in Order to maintain proper air seal

**DO NOT INSTALL ON FLAT ROOFS**